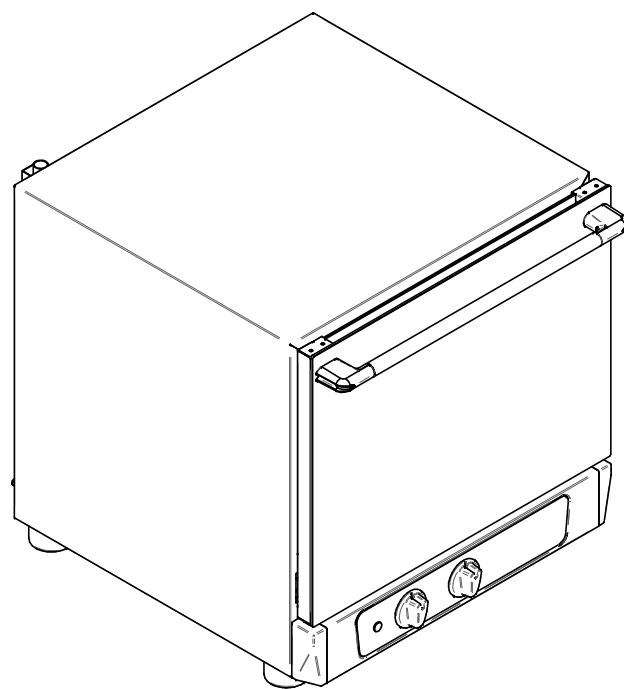


scala 1:10



ENGLISH	
02.	TIME KNOB
03.	TEMPERATURE KNOB
04.	LIGHT ON/OFF HEATING ELEMENT
05.	POWER SUPPLY CABLE
07.	UNIPOTENTIAL TERMINAL
08.	COMPRESSION CABLE GLAND
09.	HOT FUMES EXHAUST CHIMNEY

Scale : 1:10

Reserved property :



Drawing by:
C. R.

Date :
11/09/2014

Description :
OVEN DRAWINGS

Model :
T043M

Name:
AD44M ECO

APACH